



KT356

Products



KT356 – the intelligent all-rounder

The intelligent Kramer telehandler KT356 impresses with a high degree of safety and flexibility. The machine has a lift capacity of 3.5 tonnes and a stacking height of 6 metres. Its 136 hp engine and load-sensing hydraulics have sufficient power reserves to make it possible to work in all types of applications. The manoeuvrability of the telehandler, as well as the Kramer quickhitch plate, provide maximum flexibility and durability in daily application. The optionally available ECOSPEED drive system increases tractive force, thus also increasing productivity on the farm.

- Lift capacity: 3.5 tonne payload and a stacking height of 6 metres
- Flexibility: the powerful engine allows high trailer loads of up to 16 tonnes
- Quickhitch plate: Sturdy design with four support points for absolute durability
- Compactness: The compact dimensions allow efficient working, even in confined spaces
- Speed: Optionally, the telehandler can reach speeds up to 40 km/h, even with the rpm limiter Smart Driving system.



Technical specifications

Operating data

Max. payload (LSP 500 mm)	3.500 kg
Max. stack height	6.150 mm
Payload at max. stack height	3.000 kg
Stack height at max. payload	5.460 mm
Reach at max. payload	1.500 mm
Max. reach	3.280 mm
Operating weight (max.)	6.920 kg
Total swing angle of tool carrier	155 °
Bucket capacity	1 m ³

Engine / Motor

Engine / Motor manufacturer	Deutz
Type / Model	TCD 3.6 / L4
Engine performance	100 kW
Emission standards stage	IV
Exhaust aftertreatment system	DOC+SCR

Power transmission

Traction drive	Hydrostat
Driving speed (standard)	30 km/h
Driving speed (option)	20 km/h
Driving speed (option)	40 km/h
Differential lock	Self-locking differential 45% in the front axle
Standard tires	405/70-24

Operating hydraulics

Duty pump	Load-Sensing
Max. pump discharge capacity	140 l/min
Max. pump pressure	260 bar

Filling capacities

Fuel tank	100 l
Hydraulic oil tank	100 l
DEF tank	9,5 l

Sound emission

Measured value	105 dB(A)
Guaranteed value	106 dB(A)



Noise level at the driver's ear 78 dB(A)

Vibrations

Total vibrations value of the upper body extremities $< 2,5 \text{ m/s}^2$

Highest effective value of weighted acceleration for the body $< 0,5 \text{ m/s}^2$

All statements without guarantee.

Payload at max. lift height: with hydraulic leveling

Stacking height at max. payload: with hydraulic leveling

Sound emission: The measurement occurs according to the requirements of the EN 1459 standard and the 2000/14/EC directive. Measuring area: asphalted surface

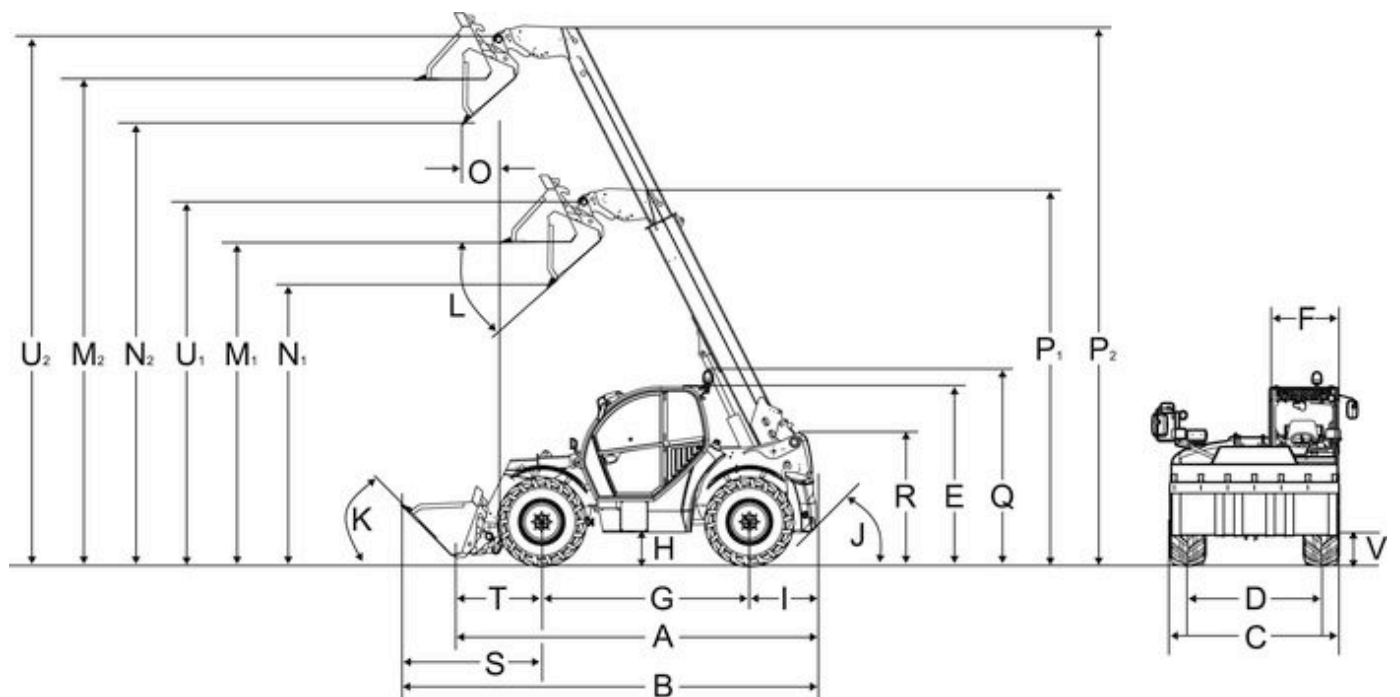
Vibrations: Uncertainty of measurement as specified in ISO/TR 25398:2006. Please instruct or inform the operator of possible hazards from vibrations.

Vibrations: Total vibrations value of the upper body extremities: on level and secure ground driving appropriately

Vibrations: Highest effective value of weighted acceleration for the body: use in extraction under harsh environmental conditions



Dimensions



A	Overall length	4.580 mm
B	Overall length with bucket	5.300 mm
C	Overall width without attachment	2.285 mm
D	Track width front	1.880 mm
D	Track width rear	1.880 mm
E	Total height	2.310 mm
F	Cabin width	990 mm
G	Wheelbase center	2.850 mm
H	Ground clearance under axle and gearbox	415 mm
I	Distance center of rear wheel to rear	630 mm
J	Rear actuation angle	45 °
K	Tipping angle	49 °
L	Tip-out angle	41 °



M1	Overhead loading height - retracted	4.070 mm
M2	Overhead loading height - extended	5.970 mm
N1	Dumping height - retracted	3.580 mm
N2	Dumping height - extended	5.480 mm
O	Dump reach - extended	270 mm
P1	Length Tele Auszugslänge - eingefahren	4.670 mm
P2	Length Tele Auszugslänge - ausgefahren	6.570 mm
Q	Total height with rotating beacon	2.540 mm
R	Total height of the telescopic arm bearing in the frame	1.600 mm
S	Distance from the front wheel center to the front edge of the bucket	1.820 mm
T	Distance from the center of the bearing of the front wheel to the quick-change frame	1.100 mm
U1	Bucket pivot point - retracted	4.585 mm
U2	Bucket pivot point - extended	6.485 mm
V	Transport position with attachment	250 mm
-	Turning radius at the outer edge of the wheels	3.840 mm
-	Entry height, cabin floor	720 mm
-	Turning radius at the outer edge of the bucket	4.900 mm

Alle Angaben ohne Gewähr.

Maschinenmaße können je nach Bereifung variieren.

„Gesamtlänge“ und „Abstand Mitte Hinterrad zum Heck“:

- mit Hitch-Kupplung + 70 mm (KT276); + 320 mm (KT306,KT356, KT307, KT357, KT447, KT507, KT557); + 154 mm (KT559)
- mit höhenverstellbarer Anhängerkupplung + 320 mm (KT306,KT356, KT307, KT357, KT447, KT507, KT557)
- mit fester Anhängerkupplung + 200 mm (KT306,KT356, KT307, KT357, KT447, KT507, KT557)

„Gesamtbreite ohne Schaufel“ abhängig von der Bereifung, mit eingeklappten Spiegeln

„Hinterer Anfahrwinkel (Böschungswinkel)“ mit Hitch-Anhängerkupplung 51° (KT276); 32° (KT306, KT356, KT307, KT357)



KRAMER
on the safe side

Please note

that product availability can vary from country to country. It is possible that information / products may not be available in your country. More detailed information on engine power can be found in the operator's manual; the stated power may vary due to specific operating conditions.

Subject to alterations and errors excepted. Applicable also to illustrations.

Copyright © 2018 Kramer-Werke GmbH.